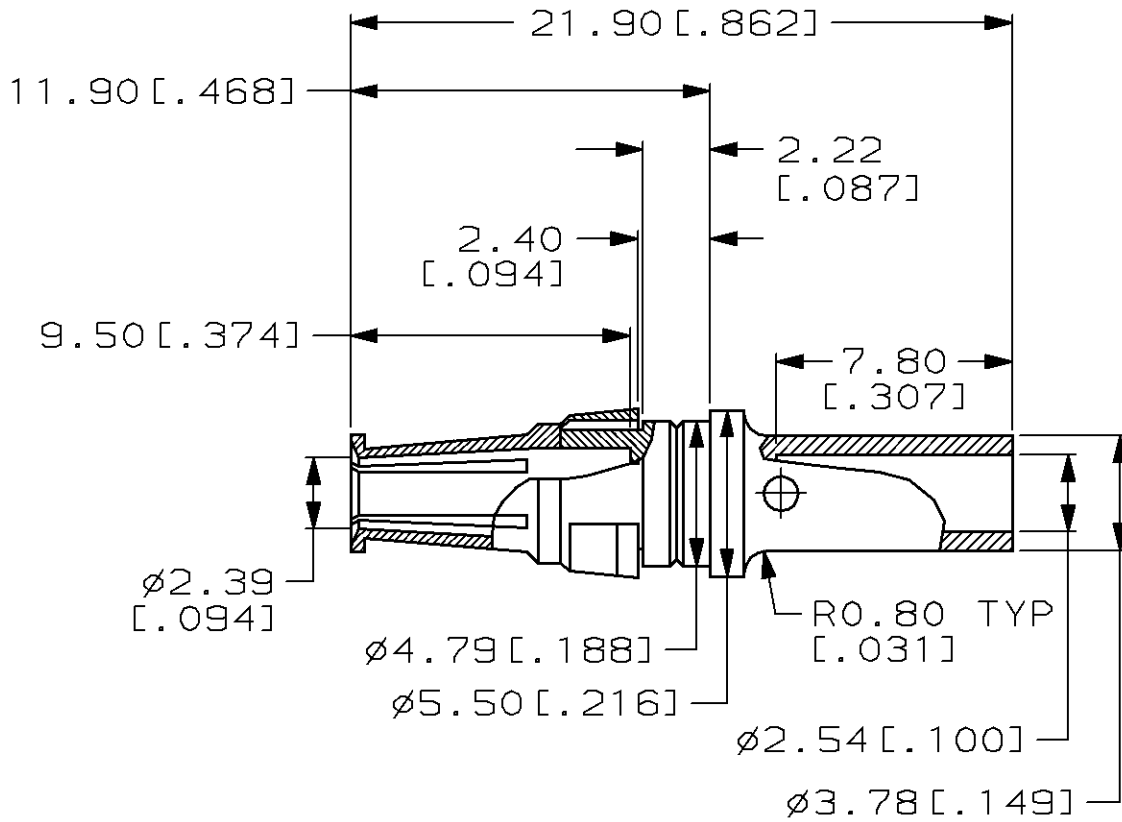


| | | | | | | | |
|-----|------|-----------|-----|-----------------|---------|-----|------|
| LOC | DIST | REVISIONS | | | | | |
| AD | 25 | P | LTR | DESCRIPTION | DATE | DWN | APVD |
| | | | 0 | DRAWN | - | - | - |
| | | | A | EC 0504-0015-97 | 1/21/97 | LSB | RAP |
| | | | B | EC 0504-0042-97 | 2/19/97 | LSB | RAP |

1. WIRE BARREL WILL ACCEPT 12-14 AWG WIRE.
2. MATES WITH PART NUMBER 148249-1.
3. RECOMMENDED CRIMPING TOOL: DANIELS TOOL #M300-BT, POSITIONER PART NUMBER SP689, SETTING #1, STRIP LENGTH 8.13 [.320].



RELEASED FOR PUBLICATION

THIS DRAWING IS UNPUBLISHED.

ALL RIGHTS RESERVED. BY AMP INCORPORATED. COPYRIGHT 19

| | | |
|---------------------------|---|-------------|
| 0.00076 [.000030] GOLD | CONTACT; BERYLLIUM COPPER RETAINING RING; BERYLLIUM COPPER | 148250-1 |
| FINISH | MATERIAL | PART NUMBER |

| | | | |
|--|------------------------------|---|--------------------|
| DIMENSIONS: mm | DWN L. BRINER 4/19/96 | MATERIAL - | FINISH - |
| TOLERANCES UNLESS OTHERWISE SPECIFIED: | CHK R. PATTERSON 4/19/96 | AMP Incorporated Harrisburg, PA 17105-3608 | |
| 0 PLC ±- | APVD R. PATTERSON 4/19/96 | | |
| 1 PLC ±- | PRODUCT SPEC | NAME POWER CONTACT, FEMALE F.M.L.B., CRIMP, AWG 12-14, (20 AMP) | |
| 2 PLC ±0.13 [.005] | APPLICATION SPEC | SIZE A4 | CAGE CODE 00779 |
| 3 PLC ±- | | DRAWING NO C-148250 | |
| 4 PLC ±- | | SCALE 4:1 SHEET 1 OF 1 REV B | |
| ANGLES ±- | WEIGHT - | CUSTOMER DRAWING | |